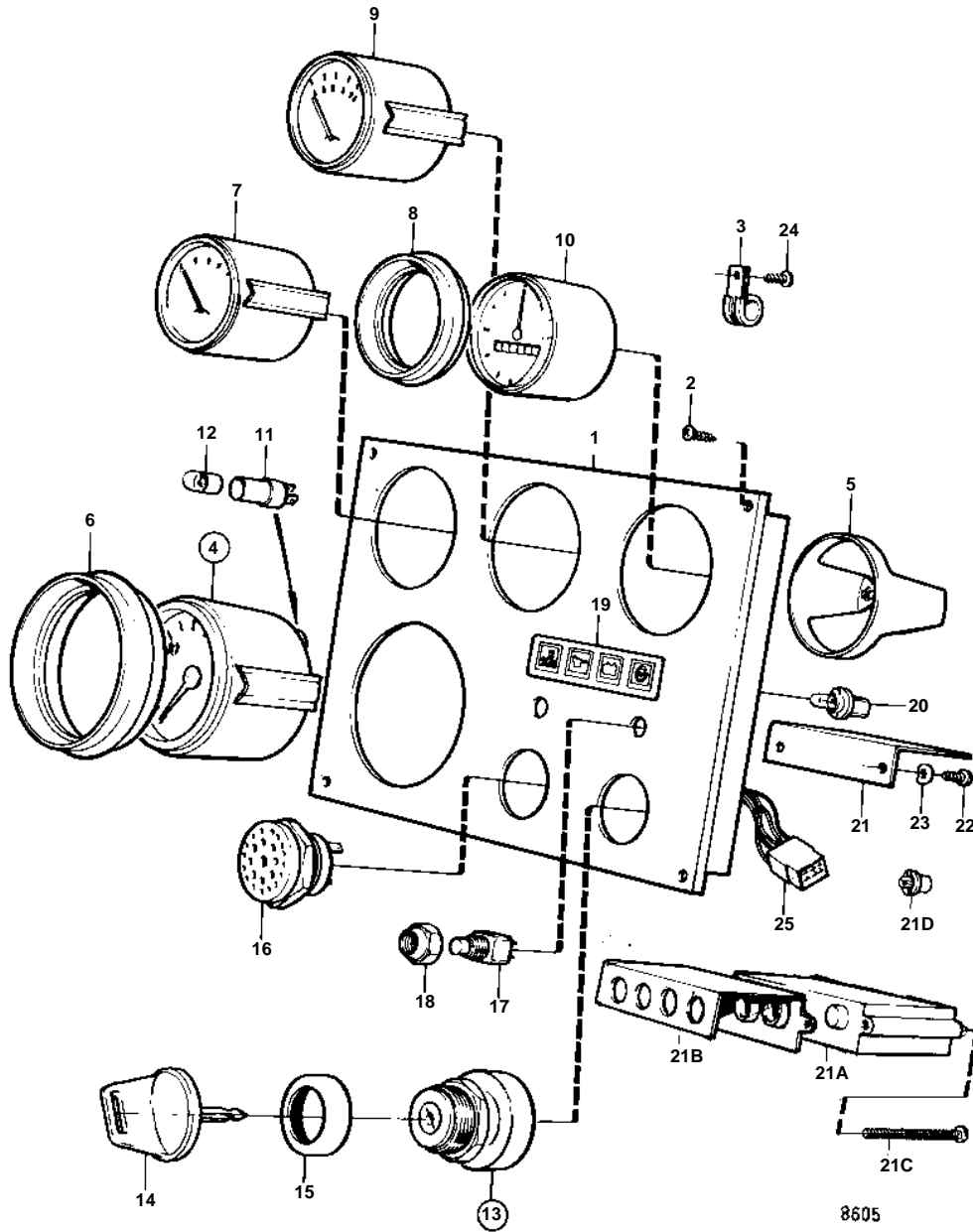


TMD40B, TMD40C, TAMD40B, AQAD40B



**TMD40B,TMD40C,TAMD40B,AQAD40B**

REF	PART NO.	QTY	DESCRIPTION	NOTES
1	828588	1	Instrument panel	
2	828647	4	Screw	
3	952629	1	Clamp	
4	828601	1	Tachometer	REPL BY 858558
	858558	1	Rev counter kit	
5	828558	1	· Attaching ring	
6	828559	1	Front ring	
7	828612	1	Thermometer	
8	828542	3	Front ring	
9	828618	1	Instrument	
10	828628	1	Voltmeter	
11	808175	4	Bulb socket	
12	19923	4	Bulb	
13	828778	1	Starter switch	
14	828676	2	· Key	STATE KEY CODE WHEN ORDERING.
15	1581184	1	Round nut	
16	828587	1	Buzzer	
17	828584	1	Switch	ALARM
	828585	1	Switch	
18	828586	2	Button	
19	828560	1	Sign	
20	966326	4	Bulb	
21	828605	1	Circuit board	REPLACED BY 1EA ELECTRONIC UNIT-828783,1EA REFLECTOR -828784,2EA SCREW-941615 AND 4EA BULB-19923.
21A	828783	1	Electronic unit	
21B	828784	1	Reflector	
21C	941615	2	Screw	
21D	19923	4	Bulb	
22	941610	2	Screw	
23	941904	2	Spring washer	
24	949947	1	Screw	(966832)
25	828646	1	Cable trunk	
		X	CABLES AND TERMINALS	SEE GROUP 3